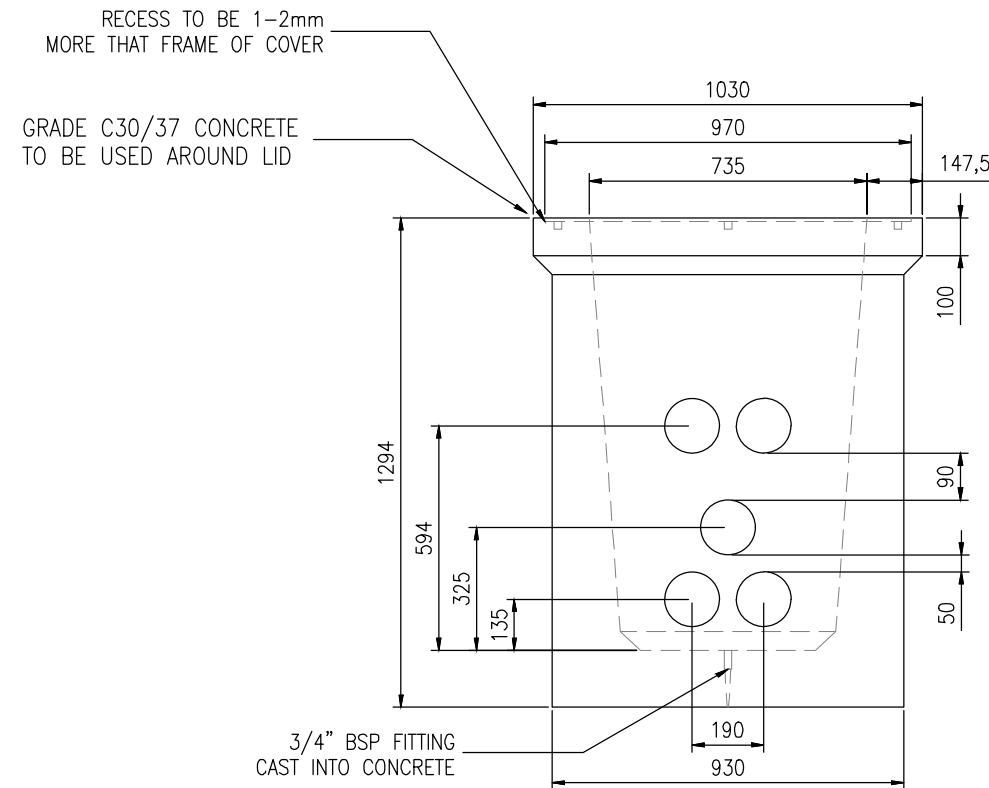
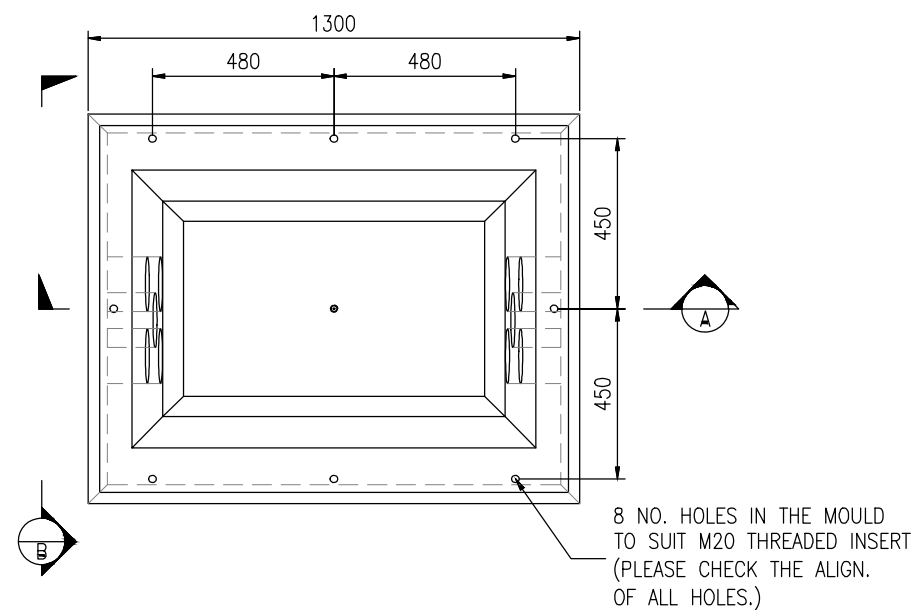


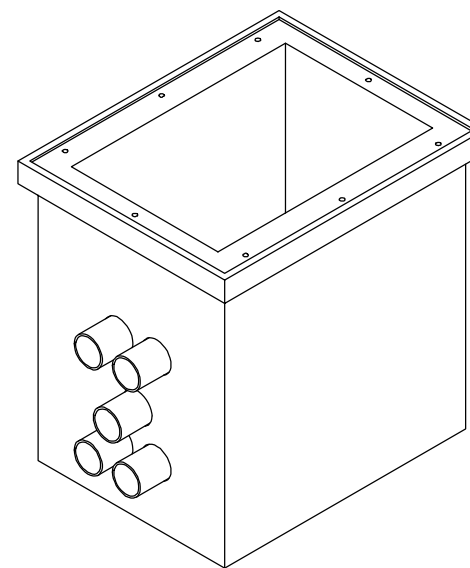
C2 Chamber Detail - Section A
SCALE 1:20



C2 Chamber Detail - Section B
SCALE 1:20



Typical Plan of Joint Bay
SCALE 1:20



Isometric : C2 Chamber Arrangement
SCALE 1:20

NOTES:

1. This design is subject to EirGrid design approval.
2. This drawing is to be read in conjunction with all other relevant documentation.
3. Dimensions are in millimetres, unless noted otherwise.
4. Drawings are not to be scaled use figured dimensions only.
5. Reinstatement to comply with requirements of the relevant Local Authority/Asset owner
6. Entrance & Exit ducts to be in line
7. All material and workmanship to be in accordance with the NRA./TII specification for Roadworks, May 2005 and subsequent revisions.
8. Reinforced concrete to be a minimum grade C32/40, Sulphate resisting cement to be used where aggressive soil conditions apply, refer to table 6.1 of B.S. 8110.
9. Carraigeway covers and frames to be to B.S. 124.
10. All covers to have ESB logo incorporated in them to the approval of EirGrid.
11. Step irons to be hot dipped galvanised to B.S. 729 and positioned as shown on any chamber deeper than 700mm on the end remote from any side entry duct.
12. Concrete precast chamber and cover should be tested through a 5 point 40 tonnes vertical static loading test by an independent test company, if required, further details will be provided by EirGrid.
13. Final position of C2 chambers shall be agreed with EirGrid.
14. In a forest environment backfill with lean mix outside the cover frame.



Head Office
Beenreigh,
Abbeydorney,
Tralee, Co. Kerry
Ireland
Tel: 00353 66 7135710

CLIENT



PROJECT

Castlebanny Wind Farm
110kV Grid Connection

PROJECT NUMBER
05-699

SHEET NUMBER
05699-DR-102

SHEET TITLE

Typical Comms Chamber Details
General Arrangement

DRAWING STATUS
For Planning

ISSUE/REVISION

I/R	DATE	DESCRIPTION
P01	02.12.20	Issued for Planning
P00	03.09.20	Issued for Information